

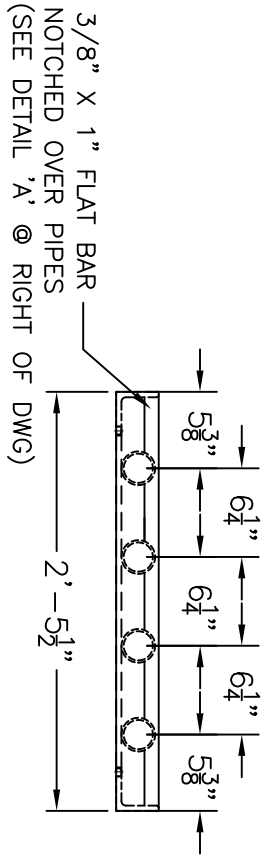
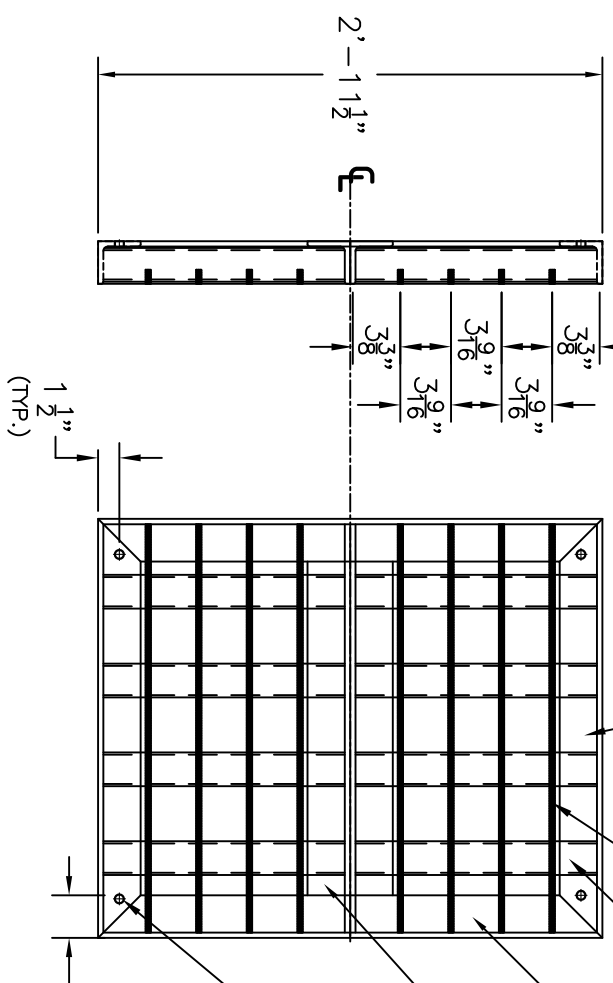
3" X 3" X 3/8" X 29 1/2" ANGLE  
(CUT @ 45 DEG. BOTH ENDS)  
2 PC. PER ASSY REQ'D

3/8" X 1" X 28 5/8" FLAT BAR  
(DET. 'A' SHOWN BELOW)  
8 PCS. PER ASSY REQ'D

2" SCH. 40 PIPE (6 1/4" C-C MAX.)  
8 PCS. REQ'D (BLACK PIPE)

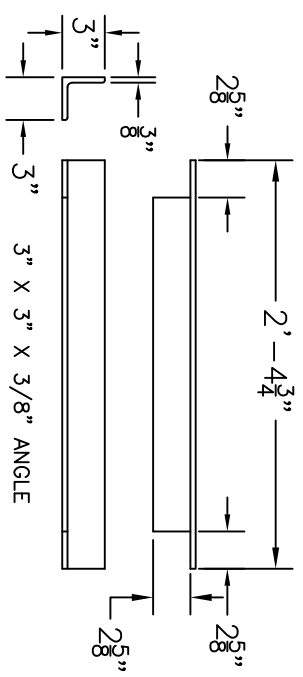
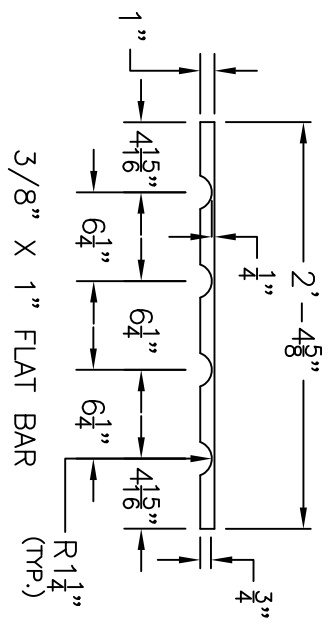
3" X 3" X 3/8" X 35 1/2" ANGLE  
(CUT @ 45 DEG. BOTH ENDS)  
2 PC. PER ASSY REQ'D

3" X 3" X 3/8" X 28 3/4" ANGLE  
(WELDED BACK TO BACK)  
NOTCHED AS SHOWN BELOW  
2 PCS. PER ASSY. REQ'D



Ø5" (THRU 4 PLCS.)  
(FOR 1/2" X 6" BOLTS  
TO BE CAST IN PLACE  
W/THREADS EXPOSED 1 1/2")

**DETAIL 'A'**



NOTE:  
HOT DIP GALV. AFTER FABRICATION

